

Coarse Wavelength Division Multiplexers

Features

Wide Passband
 Low Insertion Loss
 High Channel Isolation
 Excellent Environmental Stability

Applications

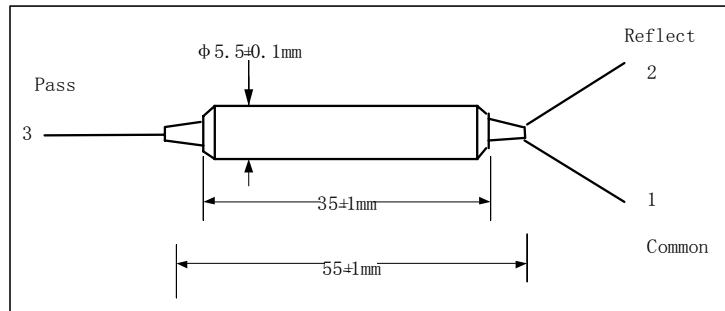
CWDM Systems
 Research

Specifications

Parameters	Unit	Values
Center Wavelength	nm	1270, 1290, ... 1590, 1610
		1271, 1291, ... 1591, 1611
Pass Band	nm	±6.5
Insertion Loss	dB	≤0.6
Reflection Insertion Loss	dB	≤0.4
Adjacent Channel Isolation	dB	≥25
Return Loss	dB	≥50
Directivity	dB	≥50
PDL	dB	≤0.05
Thermal Stability	dB/°C	≤0.005
Max. Optical Power (CW)	mW	500
Max. Tensile Load	N	5
Fiber Type		SMF-28e Fiber
Operating Temperature	°C	-5 to +70
Storage Temperature	°C	-40 to +85

*Above specifications are for device without connector.

*For devices with connectors, IL will be 0.3dB higher and RL will be 5dB lower.

Package Dimensions**Ordering Information**

ACWDM-①①-②②②-③③③-④

①①: Wavelength

47 - 1471nm

49 - 1491nm

51 - 1511nm

53 - 1531nm

55 - 1551nm

57 - 1571nm

59 - 1591nm

61 - 1611nm

SS - Specify

②②②: Connector Type on Port 1, 2 & 3

1 - FC/UPC

2 - FC/APC

3 - SC/UPC

4 - SC/APC

N - None

S - Specify

④: Fiber Length

1 - 1.0m

S - Specify

③③③: Fiber Type on Port 1, 2 & 3

B - 250um Bare Fiber

L - 900um Loose Tube

S - Specify