

980, 850nm Fiber Collimator

Features

Low Insertion
High Return Loss

Applications

Fiber Optics Components

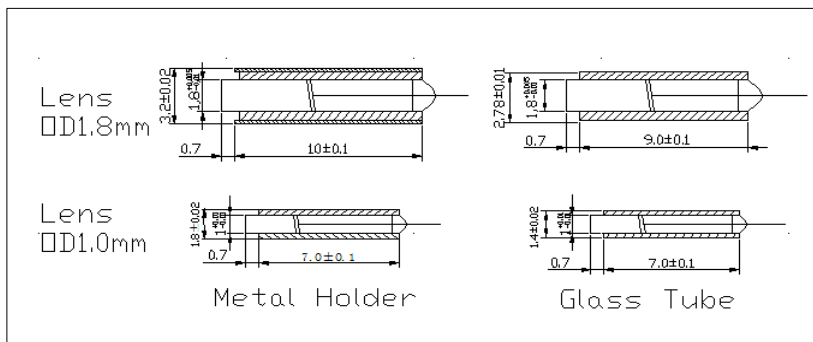
Specifications

Parameters	Unit	Values	
Center Wavelength	nm	980	850
Operating Wavelength Range	nm	±20	±20
Working Distance	mm	5	5
Typ. Insertion Loss at 5mm	dB	0.25	0.3
Max. Insertion Loss at 5mm	dB	0.3	0.35
Min. Return Loss	dB	55	55
Max. PDL	dB	0.02	
Max. Optical Power (CW)	mW	300	
Max. Tensile Load	N	5	
Fiber Type		HI 1060 Fiber	HI 780 Fiber
Operating Temperature	°C	-5 to +70	
Storage Temperature	°C	-40 to +85	

Above specifications are for device without connector.

*For devices with connectors, IL will be 0.3dB higher and RL will be 5dB lower.

Package Dimensions



Ordering Information

AC-①①-②-③-④-⑤-⑥⑥-⑦⑦-⑧-⑨

①①: Wavelength

98 - 980nm

85 - 850nm

SS - Specify

②: Pigtail Type

S - Single Fiber Pigtail

D - Dual Fiber Pigtail

③: Lens Diameter

1 - 1.8mm

2 - 1.0mm (for Single Fiber only)

S - Specify

④: Lens Type

G - Grin Lens

C - C Lens

⑤: Working Distance

1 - 5mm

S - Specify

⑥⑥: Connector Type

1 - FC/UPC

2 - FC/APC

3 - SC/UPC

4 - SC/APC

N - None

S - Specify

⑦⑦: Fiber Jacket

B - 250um Bare Fiber

L - 900um Loose Tube

T - 900um Tight Buffer Fiber (for Single Fiber only)

S - Specify

⑧: Fiber Length

1.75 - 1.75mm

S - Specify

⑨: Package Type

1 - Metal Holder

2 - Glass Tube