

## 100GHz and 200GHz Add/Drop Module

### Features

Wide Bandwidth  
 Low Insertion Loss  
 High Isolation  
 High Power Handling Capability

### Applications

DWDM Systems  
 Research

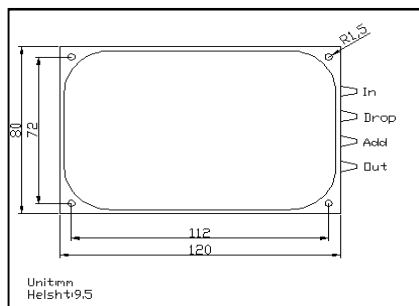
### Specifications

Parameters	Unit	100GHz	200GHz
Signal Wavelength Range	nm	1530-1580	
Center Wavelength CWL	nm	ITU Grid	
Pass Band	nm	ITU CH. +/- 0.11	ITU CH. +/- 0.25
Insertion Loss at In<---> Drop	dB	≤ 1.0	≤ 0.8
Insertion Loss at Add <---> Out	dB	≤ 1.0	≤ 0.8
Insertion Loss at In <---> Out	dB	≤ 0.8	≤ 0.8
Channel Isolation at In <---> Out	dB	≥ 25	≥ 25
Channel Isolation at In <---> Drop	dB	≥ 25	≥ 25
PDL	dB	≤ 0.1	≤ 0.1
Directivity	dB	≥ 50	≥ 50
Return Loss	dB	≥ 50	≥ 50
Center Wavelength Stability	nm/°C	≤ 0.002	≤ 0.002
Thermal Stability	dB/°C	≤ 0.005	≤ 0.005
Max. Optical Power (CW)	mW	500	500
Tensile Load	N	≥ 5	≥ 5
Fiber Type		SMF-28e Fiber	SMF-28e Fiber
Operating Temperature	°C	-5 to +70	-5 to +70
Storage Temperature	°C	-40 to +85	-40 to +85
Package Dimension	mm	120x80x9.5	

\*Above specifications are for module without connector.

\*For module with connectors, IL will be 0.3dB higher and RL will be 5dB lower.

### Package Dimensions



### Ordering Information

**AOADMM-①-②②-③-④-⑤**

①: Channel Spacing

1 - 100GHz  
 2 - 200GHz

②②: ITU Grid

③: Connector Type

1 - FC/UPC  
 2 - FC/APC  
 3 - SC/UPC

4 - SC/APC  
 N - None  
 S - Specify

④: Fiber Jacket

B - 250um Bare Fiber  
 L - 900um Loose Tube  
 C - 3mm Loose Cable  
 S - Specify

⑤: Fiber Length

1 - 1.0m  
 S - Specify